

Brede Valley Queens

Available from late May until September

Our bees are hard working honey producers and, although they do have stings, we believe them to be among the calmest and best tempered to be found in the UK. Not given to excessive swarming or propolizing, remaining quietly on the comb during manipulations, make them a good choice for all beekeepers. They are sufficiently hardy to withstand tough winters but, like all livestock, will benefit from exposure to winter sun and shelter from northerly and easterly winds. They are willing comb builders, and this characteristic will help control comb carried disease, especially if made full use of by regular replacement of old combs in spring with sheets of **KBS** foundation. Although colonies headed by our queens can winter well in a single brood box amply provisioned with stores, they will need more than a single B.S. brood box during spring & summer

Pure New Zealand Gold Queens

**Available April/May
(Order early to be sure)**

These queens come directly from New Zealand. They are light coloured, prolific and predominantly very gentle. We find they usually maintain this quietness in the first cross with black, mongrel drones. This quietness and a general disinclination to swarm, make them a good bee for urban beekeeping & demonstration colonies, where frequent disturbance could cause many strains to become exceedingly bad tempered. Beginners can very quickly build confidence in handling bees with these gentle New Zealanders. For those also interested in raising queens, these bees also make superb cell raising colonies, readily accepting & caring for grafted larvae or transferred queen cells. It is perhaps counter-intuitive, but the colonies which happily accept and care for grafted cells are usually those which show the least inclination to swarm. A single B.S. brood body will not accommodate these bees & they will need more winter stores than some dark strains.

Hawaiian Queens

Available April to September.

There are two strains of bee from Hawaii - Italian with gold or leathery coloured queens whose offspring are similar to N.Z. first cross and New World Carniolans - dark queens giving darker bees which are perhaps more thrifty with winter stores but need ample room for very rapid expansion in the Spring. These queens are reared under ideal conditions just at the time the UK needs good queens for making up winter losses, swarm control and general re-queening.

All imported queens will be, as usual, under licence and in strict accordance with DEFRA requirements.

Queen Prices

1 - 7 All Queens £30.00 each

8 + £29.00 each (in one consignment)

**Including 1st class mail in U.K. For overseas, please enquire mailing costs.
Marking +£2.00 Clipping +£2.00**

Terms of Business:

Payment with order, cheques payable to KBS/P.Kemble

Deliveries by 1st class mail

Queens will not be sent unless payment in full has been received. ***Queens found dead on arrival will be replaced free of charge, providing the cage is immediately returned, unopened.*** A queen will be replaced once only. No claim otherwise considered.

Under no circumstances can safe introduction be guaranteed.

Cancellation of Queen Orders:

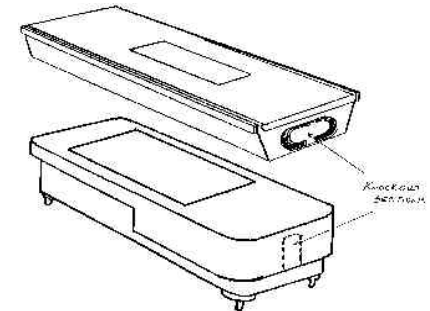
You should specify which dates are not acceptable for delivery when ordering. **Cancelled orders will be charged £10.00** **Altered dates will be charged £5.00** so please make sure of your dates.

Deliveries

Upon receipt of payment, queens are despatched on Tuesday and Thursday each week.

**We cannot telephone to advise of despatch.
We cannot offer beekeeping advice over the telephone during the season.**

Plastic cages, showing knockouts covering the candy:



Brede Valley Bee Farm
 Cottage Lane
 Westfield, Hastings
 TN35 4RT
 kbs@btinternet.com



KBS
KBS

ORDER FORM

| <i>Queens</i> | No | £ |
|---|--------------|----------|
| NZ Gold | @£30.00 | ----- |
| Hawaiian | @£30.00 | ----- |
| Brede Valley | @£30.00 | ----- |
| 8or more 1 consignment NZ | @£29.00 | ----- |
| 8 + in 1 consignment | | |
| Hawaiian | @£29.00 | ----- |
| 8 or more Brede Valley in 1 consignment | @£29.00 | ----- |
| <i>Marking</i> | @£2.00 | ----- |
| <i>Clipping*</i> | @£2.00 | ----- |
| <i>Cheque enclosed for</i> | <i>Total</i> | <u>£</u> |

Cheques payable to KBS / P.Kemble

Preferred week of delivery:

Name

Address

County

Post code

Tel

email

PLEASE NOTE: if we do not have the queens as ordered, we will send the nearest we have, unless otherwise instructed.

*Clipped queens can still fly even if they cannot steer, so don't open the cage outdoors.

Queen Introduction

We strongly recommend introducing new queens to nuclei made up of young bees and emerging brood. Two combs of such brood & bees with two combs of stores, all covered by young bees will make an ideal nuc. The cage with the queen should be placed in the centre of the brood nest, between two combs of brood, with the knockout section removed and the candy end uppermost. **Do not disturb for at least 5 days.** Investigating sooner may well cause the bees to ball the queen. A nuc. is much more receptive to a new queen than an established colony with its queen just removed. You can further improve the chances of queen introduction by spraying the bees of the nuc. with a thin syrup liberally laced with vanilla essence. The nuclei, after the new queens have been laying for 3 or 4 weeks, can be used to re-queen the parent colonies, by removing the old queens and uniting the two. To form these nucs. it is not necessary to find the old queens first; shake the bees from the required brood combs back into the brood box and place them in another brood box above a queen excluder. The bees from below will soon come up to cover the brood and they can be used later the same day. If it is not possible to make up a nucleus, remove the queen from the colony to be re-queened, eight days later remove all queen cells and introduce the new queen in a push-in cage (see Queen Rearing section of green leaflet).

Before using nucs. to re-queen, the old queens of the parent hives should be removed. If the bees are really homicidal, try moving the hive twenty yards or more from its original stand. This will allow the ratty tempered fliers to return to a new brood box left on the original stand. By doing this, on a fine day, and having left them for a couple of hours, you should find the population has thinned enough to make the job easier.

We do not claim these notes as the definitive queen introduction method and recommend "Queen Rearing & Bee Breeding" by Laidlaw & Page & "Beekeeping at Buckfast Abbey" by Br. Adam

Please note: we cannot offer beekeeping advice over the telephone during the season.

For Foundation & Beekeeping supplies please see our green leaflet For Candlemaking Supplies please see our blue leaflet.

QUEENS



KBS
KBS

Brede Valley Bee Farm

Cottage Lane, Westfield

Hastings, TN35 4RT England

Tel 01 424 870 737 Fax 01 424 870 729

email: kbs@btinternet.com

February 2010

www.kemble-bees.com
