

## *Brede Valley Nuclei*

Brede Valley Queens are now **only available in a limited number of 5 frame nuclei each year. Langstroth only nuclei (not available on any other frames)**

Our bees are hard working honey producers and, although they do have stings, we believe them to be among the calmest and best tempered to be found in the UK. Not given to excessive swarming or propolizing, remaining quietly on the comb during manipulations, make them a good choice for all beekeepers. They are sufficiently hardy to withstand tough winters but, like all livestock, will benefit from exposure to winter sun and shelter from northerly and easterly winds. They are willing comb builders, and this characteristic will help control comb carried disease, especially if made full use of by regular replacement of old combs in spring with sheets of **KBS** foundation. Although colonies headed by our queens can winter well in a single brood box amply provisioned with stores, they will need more than a single B.S. brood box during spring & summer.  
**Limited supply - contact us for availability.**

## *Pure New Zealand Gold Queens* Available April (Order early to be sure)

These queens come directly from New Zealand. They are light coloured, prolific and predominantly very gentle. We find they usually maintain this quietness in the first cross with black, mongrel drones. This quietness and a general disinclination to swarm, make them a good bee for urban beekeeping & demonstration colonies, where frequent disturbance could cause many strains to become exceedingly bad tempered. Beginners can very quickly build confidence in handling bees with these gentle New Zealanders. For those also interested in raising queens, these bees also make superb cell raising colonies, readily accepting & caring for grafted larvae or transferred queen cells. It is perhaps counter-intuitive, but the colonies which happily accept and care for grafted cells are usually

those which show the least inclination to swarm. A single B.S. brood body will not accommodate these bees & they will need more winter stores than some dark strains.

## *New Zealand Carniolan Queens*

**Available May & June.**

These Carniolan Queens are usually crossed with Italian drones and have proved to be suitable for all areas of the U.K. These Carniolans are more inclined to swarm than Italians but much less so than Pure Carnica. They tend to pack out the brood nest with honey late in the season and often will winter in one brood box

### Queen Prices

*1 - 7 All Queens £35.00 each (zero Vat)*

*8 + £34.00 each (in one consignment)*

*Including 1<sup>st</sup> class mail in U.K. For overseas, please enquire mailing costs. Marking +£2.50 Clipping +£2.50*

### Terms of Business:

Payment with order, cheques payable to KBS/P. Kemble

Deliveries by 1<sup>st</sup> class mail. Neither posting nor delivery dates can be guaranteed.

Queens will not be sent unless payment in full has been received. *Queens found dead on arrival will be replaced free of charge, providing the cage is immediately returned, unopened. YOU MUST USE LARGE LETTER POSTAGE RATES. ORDINARY 1<sup>ST</sup> CLASS STAMPS ARE INSUFFICIENT. THESE LETTERS ARE RETAINED BY THE POST OFFICE UNTIL A FINE IS PAID.* A queen will be replaced once only. No claim otherwise considered.

**Under no circumstances can safe introduction be guaranteed.**

### Cancellation of Queen Orders:

You should specify which dates are not acceptable for delivery when ordering. **Cancelled orders will be charged £10.00 Altered dates will be charged £5.00** so please make sure of your dates.

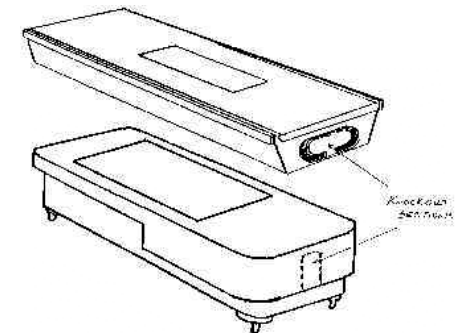
### Deliveries

Upon receipt of payment, queens are despatched on Tuesday and Thursday each week.

**We cannot telephone or email to advise of despatch.**

*We cannot offer beekeeping advice over the telephone during the season.*

Plastic cages, showing knockouts covering the candy:



*The queen cannot be released from the cage if the Knockout hasn't been removed.*

Brede Valley  
Bee Farm  
Cottage Lane  
Westfield, Hastings  
TN35 4RT  
Tel & Fax  
01424 870 737  
[kbs@btinternet.com](mailto:kbs@btinternet.com)



<i>Queens</i>	No	£
NZ Gold Italian	@£35.00	-----
NZ Carniolan	@£35.00	-----
8 or more 1 consignment	@£34.00	-----
<i>Clipping*</i>	@£2.50	-----
<i>Marking</i>	@£2.50	-----
Brede Valley Nucleus (Langstroth only)	£160.00	-----

*Cheque enclosed for*      **Total**      **£**

*VAT Queens zero rated*

*Cheques payable to KBS / P.Kemble*  
**Preferred week of delivery:**

*Name*  
*Address*

*County*

*Post code*  
*Tel*  
*email*

PLEASE NOTE: *if we do not have the queens as ordered, we will send the nearest we have, unless otherwise instructed*

\*Clipped queens can still fly even if they cannot steer, so don't open the cage outdoors.

## *Queen Introduction*

We strongly recommend introducing new queens to nuclei made up of young bees and emerging brood. Two combs of such brood & bees with two combs of stores, all covered by young bees will make an ideal nuc. The cage with the queen should be placed in the centre of the brood nest, between two combs of brood, **with the knockout section removed and the candy end uppermost. Do not disturb for at least 5 days.** Investigating sooner may well cause the bees to ball the queen. A nuc. is much more receptive to a new queen than an established colony with its queen just removed. You can further improve the chances of queen introduction by spraying the bees of the nuc. with a thin syrup liberally laced with vanilla essence. The nuclei, after the new queens have been laying for 3 or 4 weeks, can be used to re-queen the parent colonies, by removing the old queens and uniting the two. To form these nucs. it is not necessary to find the old queens first; shake the bees from the required brood combs back into the brood box and place them in another brood box above a queen excluder. The bees from below will soon come up to cover the brood and they can be used later the same day. If it is not possible to make up a nucleus, remove the queen from the colony to be re-queened, ten days later remove all queen cells and introduce the new queen. Before using nucs. to re-queen, the old queens of the parent hives should be removed. If the bees are really homicidal, try moving the hive twenty yards or more from its original stand. This will allow the ratty tempered fliers to return to a new brood box left on the original stand. By doing this, on a fine day, and having left them for a couple of hours, you should find the population has thinned enough to make the job easier.

**We do not claim these notes as the definitive queen introduction method and recommend "Queen Rearing & Bee Breeding" by Laidlaw & Page & "Beekeeping at Buckfast Abbey" by Br. Adam.**

*Please note: we cannot offer beekeeping advice over the telephone during the season.*

*For Foundation & Beekeeping supplies please see our green leaflet For Candlemaking Supplies please see our blue leaflet.*

# QUEENS



*Brede Valley Bee Farm  
Cottage Lane, Westfield  
Hastings, TN35 4RT England  
Tel & Fax 01 424 870 737  
email: [kbs@btinternet.com](mailto:kbs@btinternet.com)*

January 2011 i

[www.kemble-bees.com](http://www.kemble-bees.com)

\*\*\*